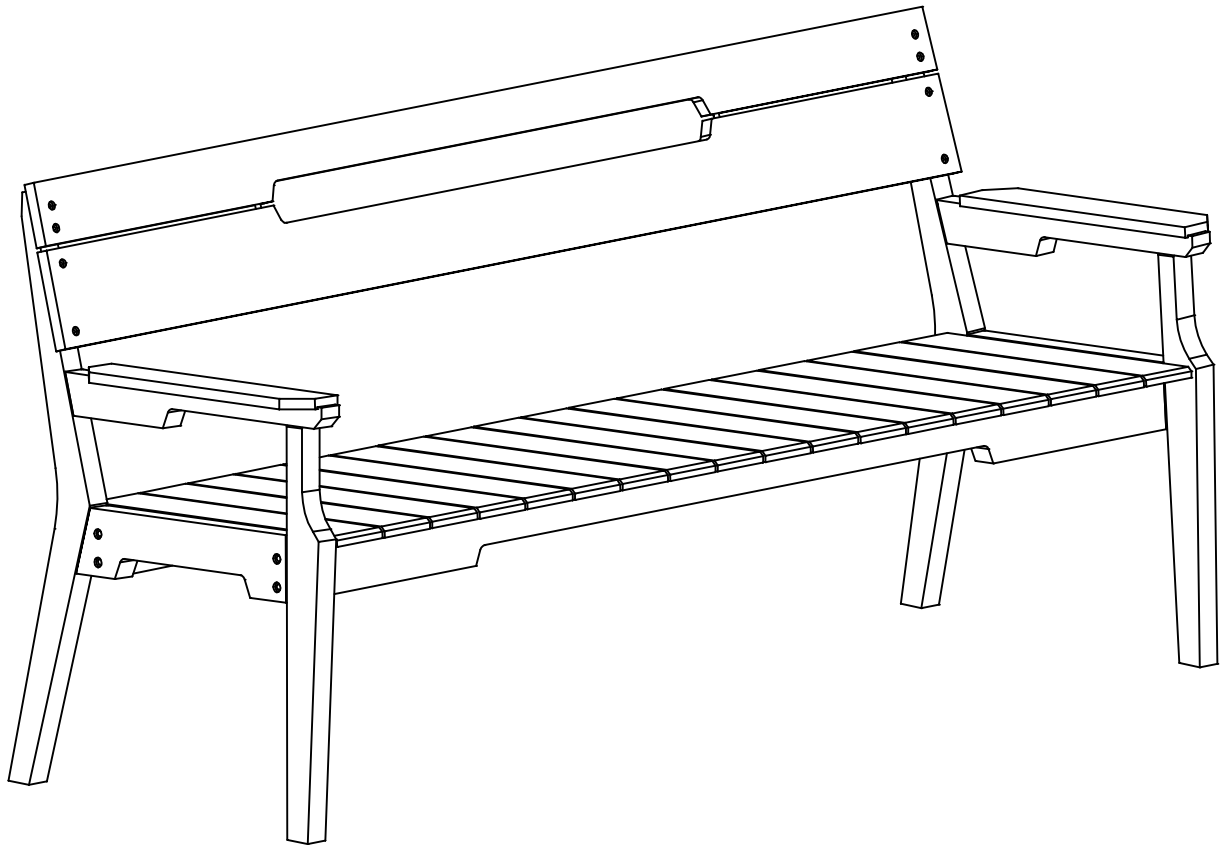


ASSEMBLY INSTRUCTIONS

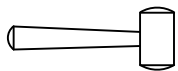
BUOT0929 3-SEAT BENCH



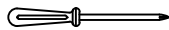
REPLACEMENT PARTS

Please do not contact the company purchased from as we can help you faster.
Order replacement parts and hardware at “www.boltonfurniture.com”

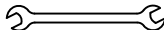
Tools Required (Not Included)



Rubber Hammer



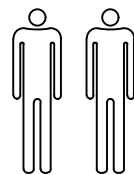
Phillips Screwdriver



Wrench

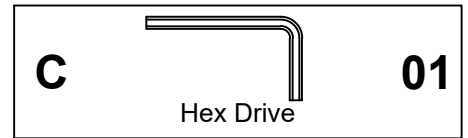
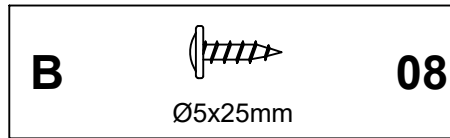
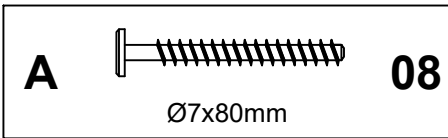


Cordless Drive (*)

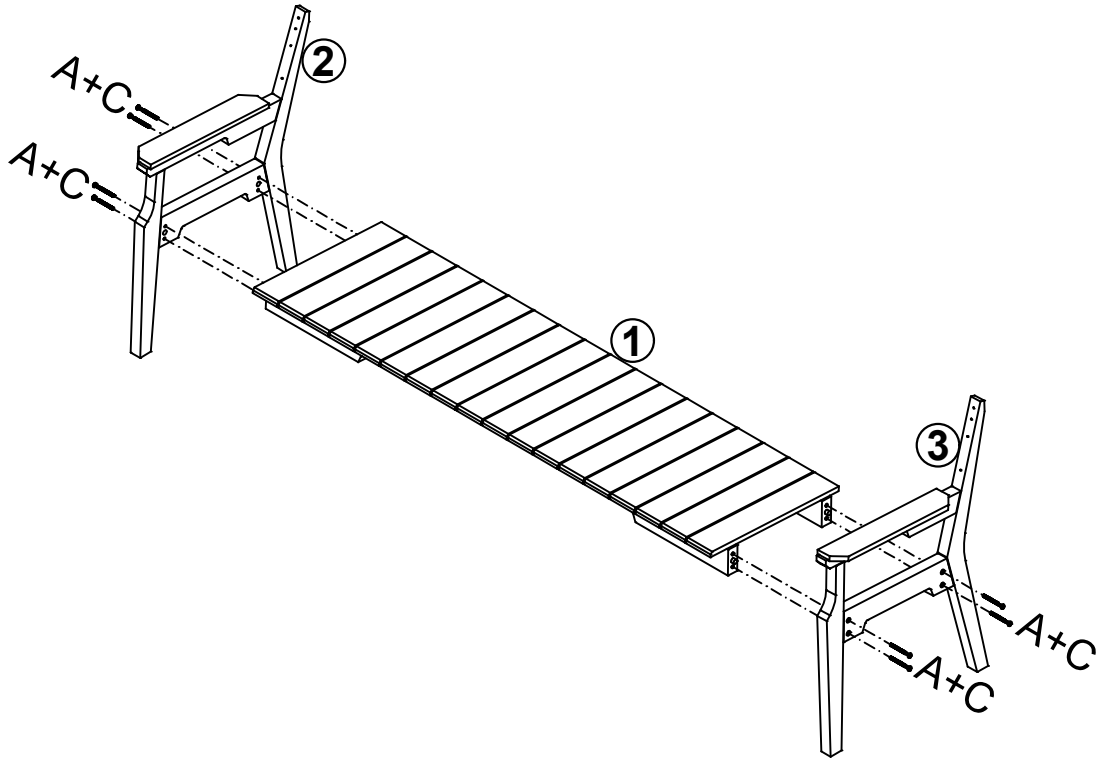
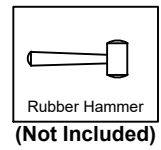
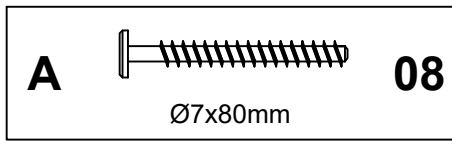


(*) NOTE: Optional - use in place of hex drive.

Identifying the Hardware-Identify the hardware using the illustrations below.



01



02

